

# XMF 1.7

Colour options:  
**military green**



Colour: **white**

## Technical specifications



Aluminum, sizes: S - M - L



Sram SX, 12V, 11-50



Brose S-Mag 36,  
Torque/Coppia: 90 Nm



Sram Guide T 4 Piston disc brake



Fantic, Lithium Ion, 36 Volt, 720Wh



Fulcrum E-Fire 700 29"-27.5"



RockShox Domain R 170mm



Vittoria E-Martello



RockShox Deluxe Select+



Selle Italia Model X  
Comfort Superflow 145

(\*) FANTIC MOTOR reserves the right to modify technical characteristics without prior notice.  
All images are included for illustrative purposes. Products are subject to change.



Index

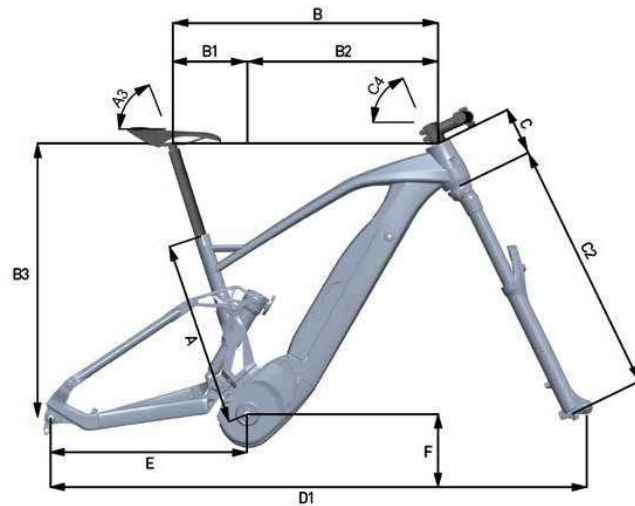
Control, handling, exclusivity, mileage.

34



(\*) FANTIC MOTOR reserves the right to modify technical characteristics without prior notice. All images are included for illustrative purposes. Products are subject to change.

# XMF 1.7



|   |  |
|---|--|
| <b>Motor</b>  | Brose S-Mag 36, Torque/Coppia: 90 Nm       |
| <b>Battery</b>  | Fantic, Lithium Ion, 36 Volt, 720Wh        |
| <b>Display</b>  | Brose All Round                            |
| <b>Frame</b>  | Aluminum, sizes: S - M - L                 |
| <b>Fork (**)</b>  | RockShox Domain R 170mm                    |
| <b>Shock</b>  | RockShox Deluxe Select+                    |
| <b>Chain rings</b>  | Sram 34t                                   |
| <b>Crank arm</b>  | FSA  |
| <b>Rear derailleur</b>  | Sram NX                                    |
| <b>Shift Levers</b>   | Sram NX Eagle                              |
| <b>Cassette</b>   | Sram SX, 12V, 11-50                        |
| <b>Chain</b>  | Sram SX                                    |
| <b>Brake</b>  | Sram Guide T 4 Piston disc brake           |
| <b>Brake</b>  | Sram Guide T 4 Piston disc brake           |
| <b>Disc</b>   | SramCenterLine, 220mm - 6Hole              |
| <b>Disc</b>   | SramCenterLine, 200mm - 6Hole              |
| <b>Tires</b>  | Vittoria E-Martello 29"x 2.35              |
| <b>Tires</b>  | Vittoria E-Martello 27,5"x 2.6             |
| <b>Wheels</b>   | Fulcrum E-Fire 700 29"-27.5"               |
| <b>Handlebar</b>  | FSA Comet-800mm - Ø35 - Rise 15mm          |
| <b>Stem</b>   | FSA Comet-50mm - Ø35 - Rise +6°            |
| <b>Seatpost</b>   | Switch SW Ø 30.9 S-M, L                    |
| <b>Saddle</b>   | Selle Italia Model X Comfort Superflow 145 |
| <b>Note</b>   | (*)  |
| (**) Alternative fork / forcella alternativa Suntour Durolux 36 |  |

| Sizes     | S     | M     | L      |
|-----------|-------|-------|--------|
| <b>A</b>  | 390   | 430   | 490    |
| <b>A3</b> | 73    | 73    | 73     |
| <b>B</b>  | 586   | 596   | 628    |
| <b>B1</b> | 161   | 162   | 166    |
| <b>B2</b> | 425   | 454   | 480    |
| <b>B3</b> | 617,8 | 622,0 | 633,7  |
| <b>C</b>  | 105   | 110   | 120    |
| <b>C2</b> | 581   | 581   | 581    |
| <b>C4</b> | 65    | 65    | 65,5   |
| <b>D1</b> | 1241  | 1245  | 1270,5 |
| <b>E</b>  | 459   | 459   | 459    |
| <b>F</b>  | 363,5 | 363,5 | 363,5  |

(\*) FANTIC MOTOR reserves the right to modify technical characteristics without prior notice.  
All images are included for illustrative purposes. Products are subject to change.



**@fanticbikes**



**Fantic Bikes**



**Fantic Bikes**



**Fantic Motor**



**@fanticmotor\_official**

**fantic.com**

**FANTIC**

**Fantic,**  
**we design,**  
**engineer**  
**and assemble**  
**high-performance**  
**electric bikes.**

Fantic Motor S.P.A.  
Via Tarantelli, 7  
31030 Dossan di Casier (TV) **Italy**  
info@fanticmotor.it  
**fantic.com**