

Living Easy



Colour: **blue**

Technical specifications



Aluminium, sizes: S-M / L-XL



Promax Solve ST 925 hydraulic 2P,
180mm disc



Yamaha PW S2,
Torque/Coppia: 75Nm



GBC 29"



Fantic, Lithium Ion, 36 Volt, 630Wh



Vittoria E-Randonneur



Suntour XCR34, travel 100mm



Selle Italia Max S5 Superflow



Sram SX, 12V, 11-50

(*) FANTIC MOTOR reserves the right to modify technical characteristics without prior notice.
All images are included for illustrative purposes. Products are subject to change.



Index

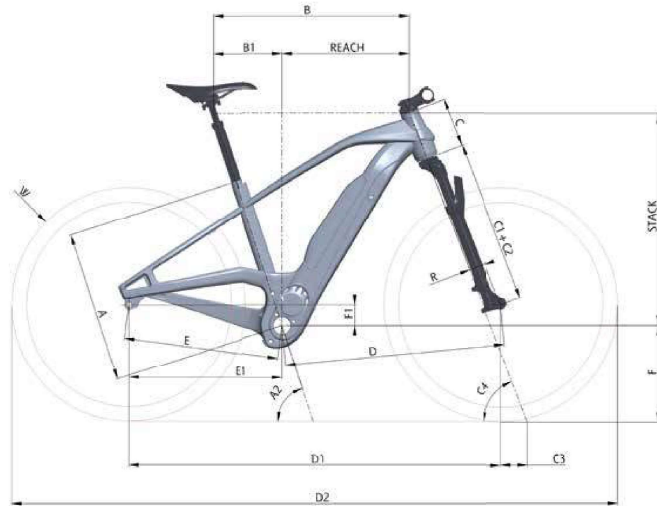
Control, handling, exclusivity, mileage.

69



(*) FANTIC MOTOR reserves the right to modify technical characteristics without prior notice. All images are included for illustrative purposes. Products are subject to change.

Living Easy



Motor	Yamaha PW S2, Torque/Coppia: 75Nm	Sizes	S-M	L-XL
Battery	Fantic, Lithium Ion, 36 Volt, 630Wh	A	430	495
Display	Display B Yamaha	A2	72	72
Frame	Aluminium, sizes: S-M / L-XL	B	575	595
Fork	Suntour XCR34, travel 100mm	B1	210	216
Crankarm	FSA	Reach	365	379
Groupset	Sram SX Eagle	Stack	646,5	665
Cassette	Sram SX, 12V, 11-50	W	28"	28"
Chain	Sram SX	C	150	170
Front brake	Promax Solve ST 925 hydraulic 2P, 180mm disc	C1	2	2
Rear brake	Promax Solve ST 925 hydraulic 2P, 180mm disc	C2	490	490
Tires	Vittoria E-Randonneur	C3 Trail	92,6	92,6
Rim and Spokes	GBC 29"	C4	69	69
Front hub	GBC, 110mm Boost	R	44	44
Rear hub	GBC, 148mm Boost	D	639	660
Handlebar	GBC 700mm, Rise 20mm	D1	1103	1124
Stem	GBC 70mm	D2	1831	1852
Saddle	Selle Italia Max S5 Superflow	E	471,2	471,2
Seatpost	Promax Suspended Ø30.9	E1	467	467
Grips	Urban Gist	F	301	301
Pedals	Aluminium	F1	63	63
Front light	Busch Muller	Lever	170	170
Rear light	Trelock	Stem	70	70
Locker	Abus	Bar	700	700
Note	(*)	Regg.	350	350

(*) FANTIC MOTOR reserves the right to modify technical characteristics without prior notice. All images are included for illustrative purposes. Products are subject to change.



@fanticbikes



Fantic Bikes



Fantic Bikes



Fantic Motor



@fanticmotor_official

fantic.com

FANTIC

Fantic,
we design,
engineer
and assemble
high-performance
electric bikes.

Fantic Motor S.P.A.
Via Tarantelli, 7
31030 Dossan di Casier (TV) **Italy**
info@fanticmotor.it
fantic.com