

# XTF 1.5 Race

Colour options:  
**silver**



Colour: **yellow**

## Technical specifications



Aluminum, sizes: S - M - L



Sram SX, 12V, 11-50



Brose S-Alu,  
Torque/Coppia: 90 Nm



Sram Guide T 4 Piston disc brake



Fantic, Lithium Ion, 36 Volt, 630Wh



Rodi TRYP30



RockShox 35 Gold RL 150mm



Pirelli Scorpion Trail



RockShox Deluxe Select+



Selle Italia Model-X  
Comfort Superflow 145

(\*) FANTIC MOTOR reserves the right to modify technical characteristics without prior notice.  
All images are included for illustrative purposes. Products are subject to change.



Index

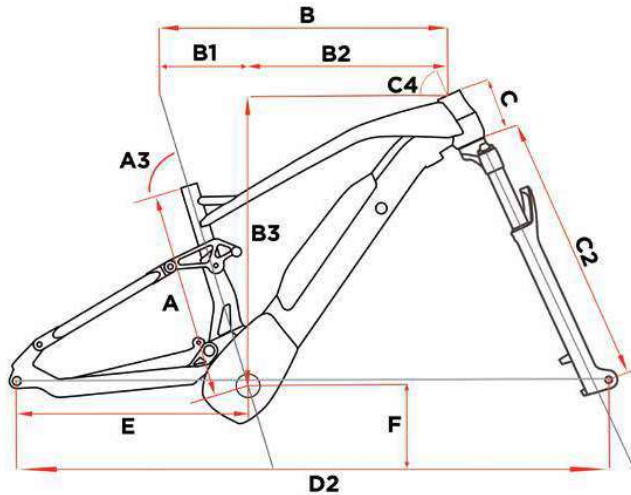
Control, handling, exclusivity, mileage.

23



(\*) FANTIC MOTOR reserves the right to modify technical characteristics without prior notice. All images are included for illustrative purposes. Products are subject to change.

# XTF 1.5 Race



<b>Motor</b>	Brose S-Alu, Torque/Coppia: 90 Nm
<b>Battery</b>	Fantic, Lithium Ion, 36 Volt, 630Wh
<b>Display</b>	Brose All Round
<b>Frame</b>	Aluminum, sizes: S - M - L
<b>Fork (**)</b>	RockShox 35 Gold RL 150mm
<b>Shock</b>	RockShox Deluxe Select+
<b>Chain rings</b>	Sram 34t
<b>Crank arm</b>	Miranda 165mm
<b>Rear derailleur</b>	Sram GX AXS
<b>Shift Levers</b>	Sram GX AXS Eagle
<b>Cassette</b>	Sram SX, 12V, 11-50
<b>Chain</b>	Sram SX
<b>Brake</b>	Sram Guide T 4 Piston disc brake
<b>Brake</b>	Sram Guide T 4 Piston disc brake
<b>Disc</b>	SramCenterLine, 200mm - 6Hole
<b>Disc</b>	SramCenterLine, 180mm - 6Hole
<b>Tires</b>	Pirelli Scorpion Trail -S- 29"x 2.4
<b>Tires</b>	Pirelli Scorpion Trail -R- 29"x 2.4
<b>Wheels</b>	Rodi TRYP30
<b>Handlebar</b>	FSA Ø31,8 - Rise15mm - Sweep 6°
<b>Stem</b>	FSA Logo Ø31,8 - Rise +6°
<b>Seatpost</b>	Switch SW Ø 30,9, S - 80mm / M - 100mm / L - 125mm
<b>Saddle</b>	Selle Italia Model-X Comfort Superflow 145
<b>Note</b>	(*)
(**) Alternative fork / forcella alternativa Suntour Auron 35	

Sizes	S	M	L
<b>A</b>	390	430	490
<b>A3</b>	73	73	73
<b>B</b>	575	602	627
<b>B1</b>	166	169	174
<b>B2</b>	407	433	453
<b>B3</b>	615,8	625,0	641,5
<b>C</b>	105	115	130
<b>C2</b>	567	567	567
<b>C4</b>	66	66	66,5
<b>D1</b>	1193	1224	1244
<b>E</b>	472	472	472
<b>F</b>	358	358	358

(\*) FANTIC MOTOR reserves the right to modify technical characteristics without prior notice.  
All images are included for illustrative purposes. Products are subject to change.



**@fanticbikes**



**Fantic Bikes**



**Fantic Bikes**



**Fantic Motor**



**@fanticmotor\_official**

**fantic.com**

**FANTIC**

**Fantic,**  
**we design,**  
**engineer**  
**and assemble**  
**high-performance**  
**electric bikes.**

Fantic Motor S.P.A.  
Via Tarantelli, 7  
31030 Dossan di Casier (TV) **Italy**  
info@fanticmotor.it  
**fantic.com**