

XTF 1.5 All Track

Colour options:
green



Colour: **grey**

Technical specifications

Seatstays made of "injected composite"



Aluminum, sizes: S - M - L



Sram SX, 12V, 11-50



Yamaha PW X3,
Torque/Coppia: 85 Nm



Sram Level 2 Piston disc brake



Fantic, Lithium Ion, 36 Volt, 630Wh



Rodi TRYP30 - 29"



RockShox Recon Silver RL 150mm



Pirelli Scorpion ProWall Trail



RockShox Deluxe Select



Selle Italia MODEL-X
Comfort Superflow 145

(*) FANTIC MOTOR reserves the right to modify technical characteristics without prior notice.
All images are included for illustrative purposes. Products are subject to change.



Index

Control, handling, exclusivity, mileage.

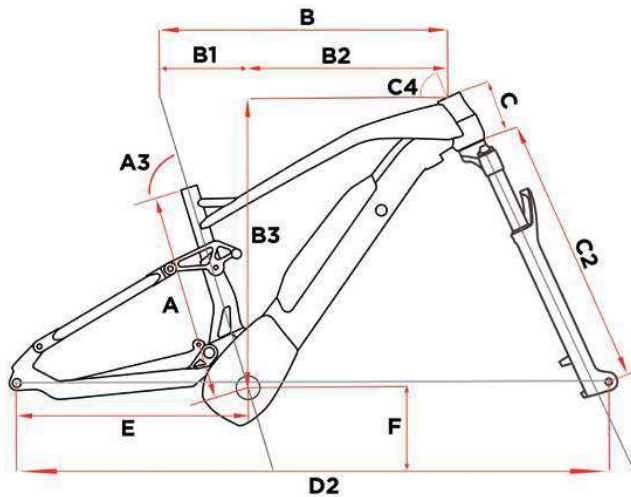
21



(*) FANTIC MOTOR reserves the right to modify technical characteristics without prior notice. All images are included for illustrative purposes. Products are subject to change.

XTF 1.5

All Track



Motor	Yamaha PW X3, Torque/Coppia: 85 Nm
Battery	Fantic, Lithium Ion, 36 Volt, 630Wh
Display	Yamaha Interface X
Frame	Aluminum, sizes: S - M - L
Fork (**)	RockShox Recon Silver RL 150mm
Shock	RockShox Deluxe Select
Chain rings	Sram 34t
Crank arm	FSA
Rear derailleur	Sram SX
Shift Levers	Sram SX Eagle
Cassette	Sram SX, 12V, 11-50
Chain	Sram SX
Brake	Sram Level 2 Piston disc brake
Brake	Sram Level 2 Piston disc brake
Disc	SramCenterLine, 200mm - 6Hole
Disc	SramCenterLine, 180mm - 6Hole
Tires	Pirelli Scorpion ProWall Trail -M- 29"x 2.4
Tires	Pirelli Scorpion ProWall Trail -R- 29"x 2.4
Wheels	Rodi TRYP30 - 29"
Handlebar	Promax-760mm-Rise 18mm-ø31,8
Stem	Promax-60mm-Rise+6°-ø31,8
Seatpost	RST ELEV8 A2 Ø 30,9, S - 80mm / M - 100mm / L - 125mm
Saddle	Selle Italia Model-X Comfort Superflow 145
Note	(*)
(**) Alternative fork / forcella alternativa Suntour Auron 35	

Sizes	S	M	L
A	390	430	490
A3	73	73	73
B	575	602	627
B1	166	169	174
B2	407	433	453
B3	615,8	625,0	641,5
C	105	115	130
C2	567	567	567
C4	66	66	66,5
D1	1193	1224	1244
E	472	472	472
F	358	358	358

(*) FANTIC MOTOR reserves the right to modify technical characteristics without prior notice.
All images are included for illustrative purposes. Products are subject to change.



@fanticbikes



Fantic Bikes



Fantic Bikes



Fantic Motor



@fanticmotor_official

fantic.com

FANTIC

Fantic,
we design,
engineer
and assemble
high-performance
electric bikes.

Fantic Motor S.P.A.
Via Tarantelli, 7
31030 Dossan di Casier (TV) **Italy**
info@fanticmotor.it
fantic.com